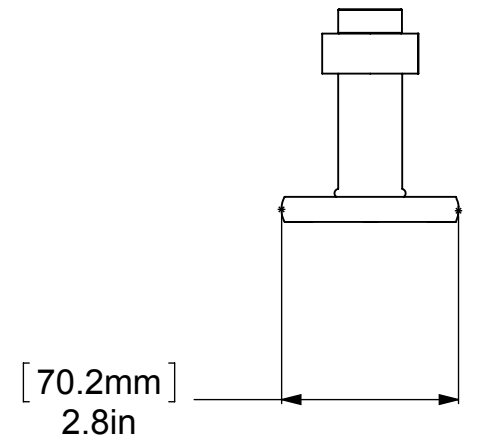
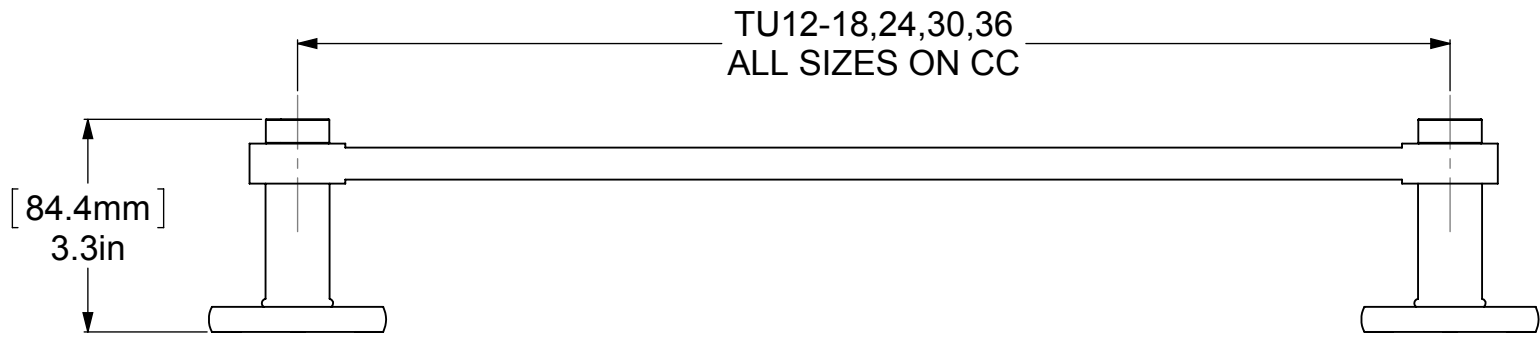
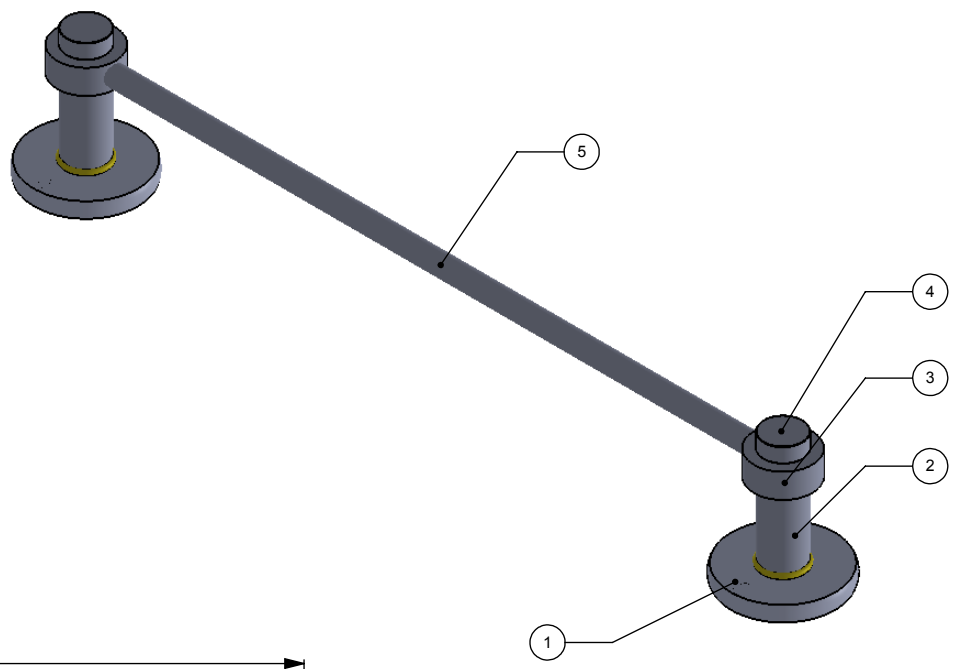


1	BPRD	BACKPLATE	2
2	TU1-2	SUPPORT	2
3	RGSMS	HUB	2
4	CARD-1	END CAP	4
5	TU12-18,24,30,36	TUBE	2



UNLESS OTHERWISE STATED


.X	$\pm .3\text{mm}$
.XX	$\pm .15\text{mm}$
.XXX	$\pm .008\text{mm}$

COPYRIGHT © Allied Brass 2016



DRAWN	3/31/2016	I.M
CHECKED	3/31/2016	P.D
APPROVED	3/31/2016	R.A

MATERIAL:	BRASS
DESCRIPTION:	TOWEL BAR



FINISH	TBD
QUANTITY	TBD
DRAWING No.	931
REV	0
SCALE	1:3
SHEET: 01	A4